

## Features

- Universal input 90-264V AC
- Direct UK Fixed Plugtop Adapters
- Approved to UKCA, CE, RoHS
- EN 62368-1 Safety Approved
- Meets Efficiency Level VI
- Single Output 5~12V DC
- OVP, OCP, SCP



Ideal Power's 14GJ15WD-xy-BW 12W AC/DC External Adapter UK Plugtop Power Supply (PSU) Series are certified to UKCA, CE, RoHS & EN 62368-1 Standards and comply with (EU) 2019/1782, Level VI Efficiency Regulations. These are primarily used in ITE, Audio & Video Industries and customised solutions are available upon request.

### Models

Model Number	Output Voltage (V DC)	Output Current (A)	Output Power (W)	Efficiency (%)
14GJ15WD-0500100BW	5	1	5	73.6
14GJ15WD-0500200BW	5	2	10	78.7
14GJ15WD-1200100BW	12	1	12	82.96
14GJ15WD-1200100BW-2.5	12	1	12	82.96

### Input Data

	Min	Typical	Max	Units	Notes
Voltage	90	--	264	V AC	100-240VAC +/- 10%
Frequency	50	--	60	Hz	50-60Hz +/- 3Hz
Rated Current	--	--	0.5	A	
Power consumption			0.1	W	Input voltage 115V and 230V
Leakage Current	--	--	0.25	mA	
Primary current protection	An adequate internal fuse on the AC input line is provide				
Configuration	II Conductor				

### Output Data

	Min	Typical	Max	Units	Notes
Minimum Load Current	0.01	--	--	A	
Ripple & Noise	--	--	200	mVp-p	
Load Regulation	--	5	--	%	
Turn on delay time	--	--	3	S	At 230Vac input and output Max load
Rise time	--	--	100	mS	At 115Vac input and output Max load
Hold up time	5	--	--	S	At 115Vac input and output Max load
Line Regulation	less than ±5% while measuring at rated load and +/-10% of input voltage changing.				

**Protection**

	Min	Typical	Max	Units	Notes
Over Current Protection	1.1	--	2.0	A	Will recover if fault condition is removed
Short Circuit Protection					Will recover if fault condition is removed
Over Voltage Protection					Will recover if fault condition is removed

**Environmental Data**

	Min	Typical	Max	Units	Notes
Operating Temperature	0	--	+40	°C	
Storage Temperature	-20	--	+80	°C	
Operating Humidity	10	--	90	%	
Operating Humidity	10	--	90	%	

**Product Information**

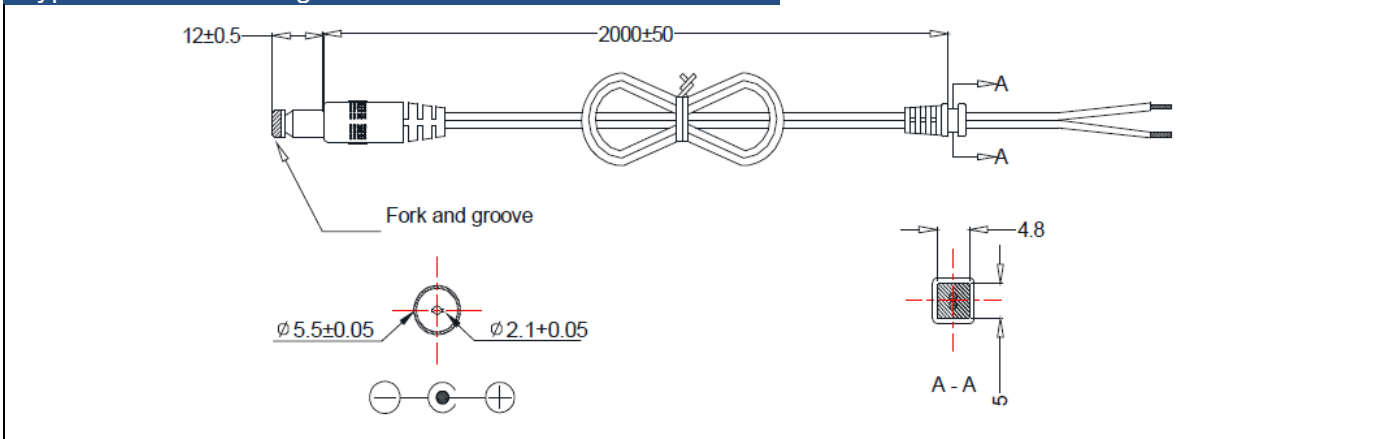
	Safety Standards
Dimensions	58.4 x 48.8 x 56.2 mm
Cable	UL 2468, 2000mm, 5V-22AWG / 12V-24AWG
Output Connector	2.1 x 5.5 x 12 mm, 2.5 x 5.5 x 12 mm (model dependant)

**EMC Specifications**

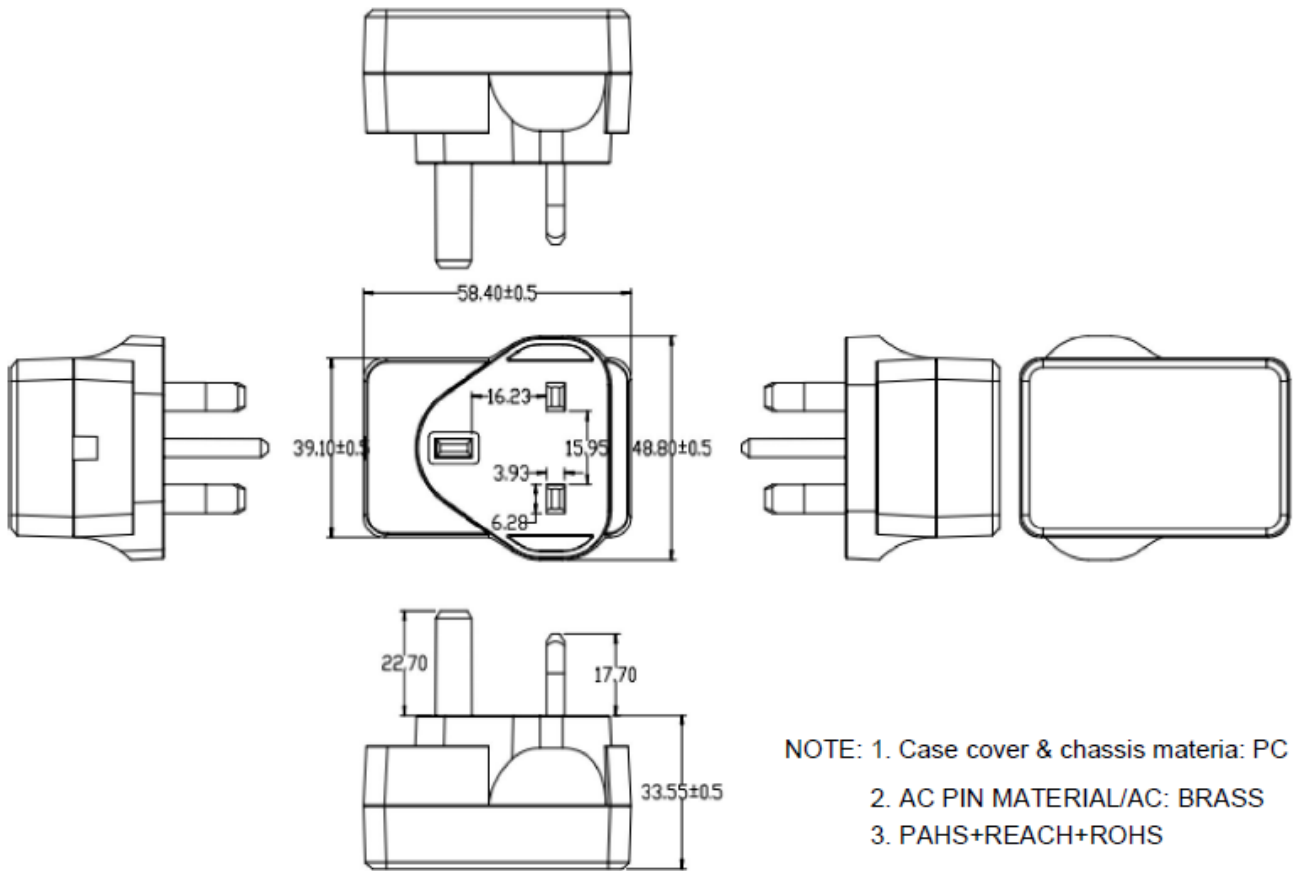
	Test Level	
EMI	EN 55032 / FCC Part 15 Class B - Radiated and Conducted Emission EN55014, EN55015, Class B - Radiated and Conducted Emission GB9254, GB17625.1	
ESD	IEC 61000-4-2 Air discharge +/-8KV, Contact discharge +/-4KV	Pass B
RFI	IEC 61000-4-3 80-1000MHz, 3 V/m with 80% amplitude modulation of 1 kHz	Pass A
EFT	IEC 61000-4-4 AC-Input Signal line, 0.5KV / Power Line, 1KV	Pass B
Surge Voltage	IEC 61000-4-5 Differential mode +/-1KV. Common mode +/-2KV	Pass A

**Safety Approvals**

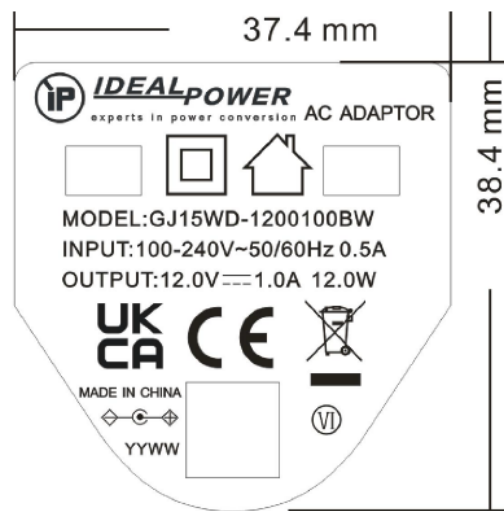
	Safety Standards
Certifications	UKCA, CE, RoHS
Approvals	EN 62368-1

**Typical Cable Drawing**


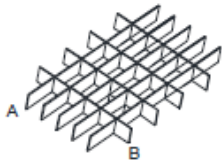
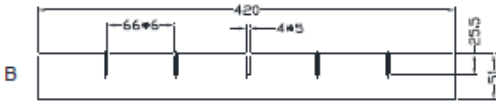
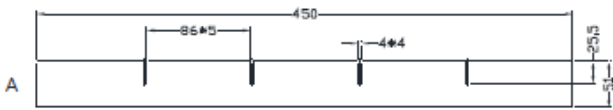
Mechanical Drawing



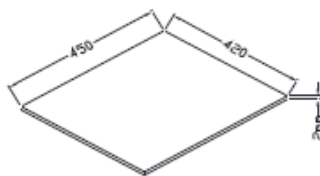
Typical Label Drawing



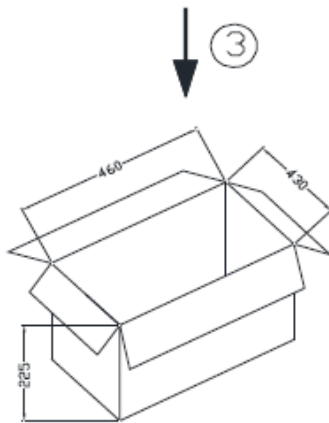
Packaging



Corrugated board



Slab



Outside carton

Packaging:

Corrugated board:A:L450\*51mm,B:420\*51mm  
Outside carton internal size:L460\*W430\*H225mm

Slab:L450\*W420\*2mmT  
PE bag:L140\*W120\*0.03mmT  
Quantity:120PCS/Carton  
(A total of 4 layout,30Pcs/layer)

REMARK:

The sample package for temporary packaging big goods packing as shown above packing if customer don't specify packing type.

